



## **2-post lift KPX42ELIK**

GTIN: 5063084198488

SKU: RAV.KPX42.198488

4.2 t, electromechanical, symmetrical, double control panel, 4 x 3-stage arms, TEq-Link, energy kit

---

### **DESCRIPTION**

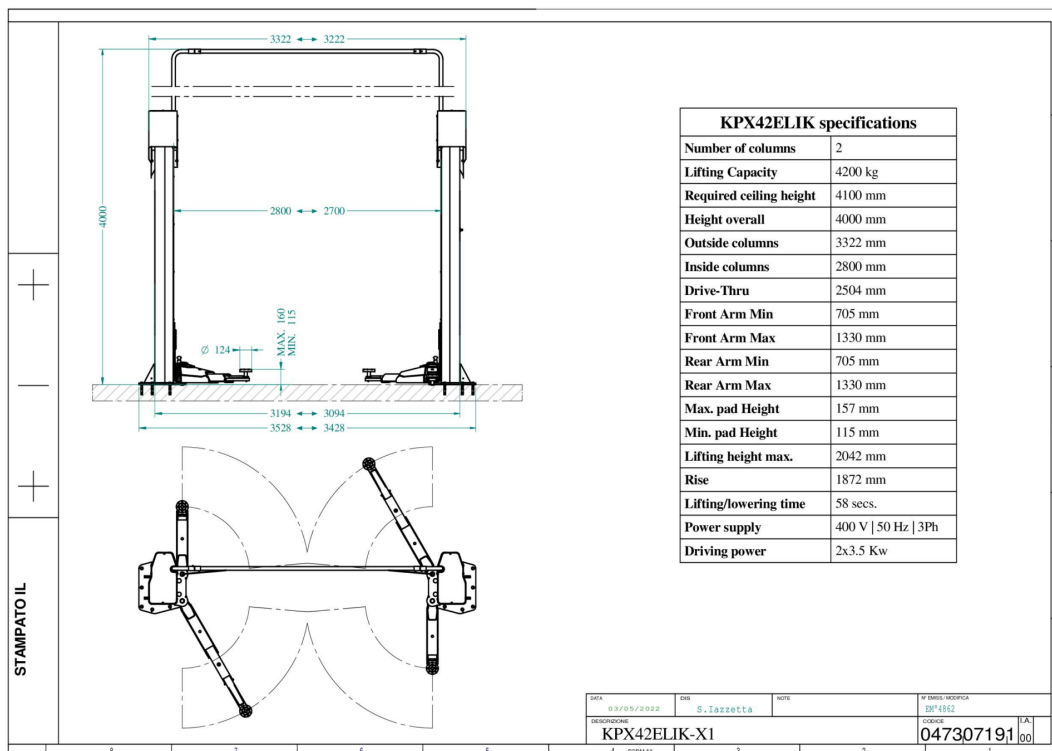
From History to the Future

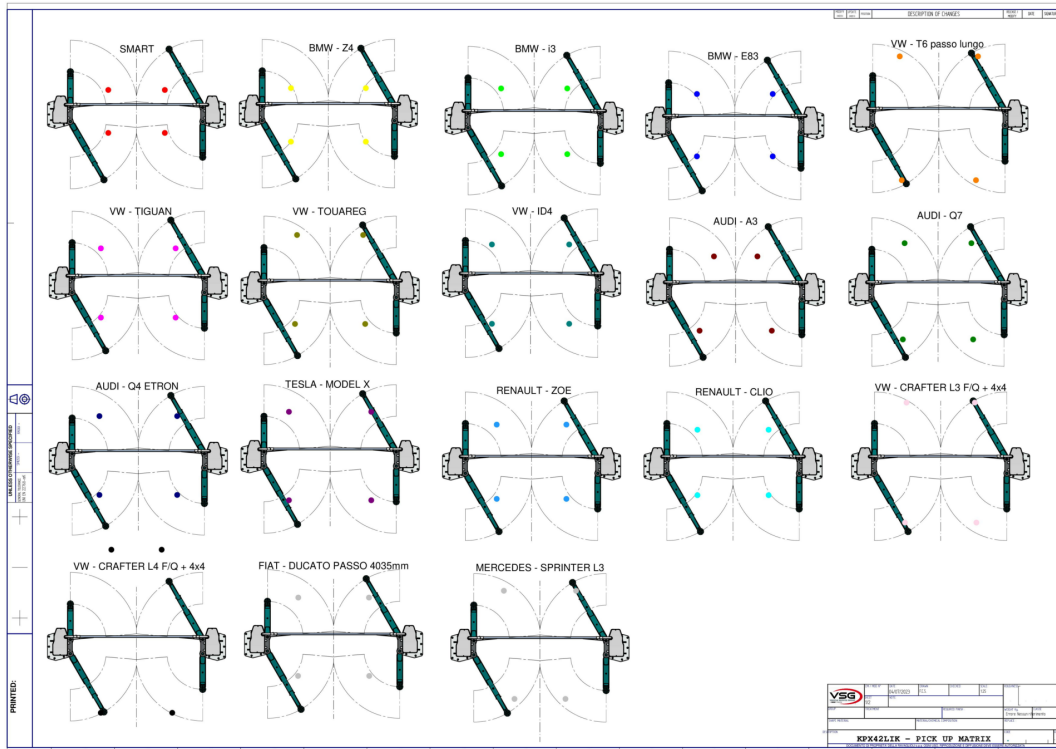
- Up-to-date design: modern outline that brings modernity and usability to the workshop
- Innovative DNA: long-standing high-quality components and tested for 20000 cycles
- Future-proof: lifts designed for the TEq-Link workshop connectivity system

Emerging from the bestselling 2-post lifts, the Legend Series consolidates the engineering knowledge of Ravaglioli and shapes it into an innovative package. Looking towards the future while always honouring the past, Ravaglioli has set an important goal for itself - let the performance meet the design.

- Controlled up/down by pushing button positioned at an ergonomic height.
- Minimum height of the pads suitable for asymmetric loading, of armoured cars as well.
- Smart and flexible installation - Up to 20% improvement in installation time: The electronic synchronization avoids the installation and adjustment of the realignment cable. The lifts can be installed in a flexible way thanks to three width adjustable positions.
- More space for movement around the vehicle - The lift is designed to maximise its layout while ensuring minimum space requirements.
- TEq-Link connected workshop - All models of this series are equipped with up/down buttons and TEq-Link connectivity.
  
- Symmetrical arm configuration (four long arms)
- Designed for lifting long-wheelbase vans
  
- Automatic arm locking system
- High efficiency motors

- E version equipped with double control panel and Energy kit
- Automatic and permanent nut lubrication system to guarantee efficient movement during lifting and descent
- Steel high resistance rolled screw to provide long life
- Equipped with an acoustic anti-toe trap system - Free from mechanical foot guards
- Possibility to install without gantry since cables can be placed inground
- Premium quality of components:
  - Aluminium pulley with cooling function
  - Long-lasting bearings
  - 50% longer, bronze load nut
  - Motors with reinforced and cooling casing
  - Solid automatic arm locking





**ACCESSORIES**

**Tool trays**

VSG.2CALL.902641  
Magnetic | 1 set / 2 pieces


**Spacers for pads for electromechanical lifts**

VSG.2CALL.901071  
4 x 89 mm, 4 x 127 mm, incl. 2 brackets for mounting on the pillars | 1 set / 8 pieces


**Spacers for pads**

VSG.2CALL.901248  
4 x 200 mm, incl. bracket for mounting on the pillars | 1 set / 4 pieces


**Supporting arm extensions**

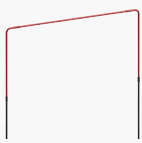
VSG.2CELM.903044  
Capacity reduced to 3.7 t | for LIK arms | 1 set / 2 pieces


**Eyebolt**

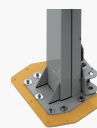
VSG.2CELM.901927  
3.5 t - 4.2 t | facilitates installation of the lift, can be used again for other installations | 1 set


**Pads frame adapters kit**

VSG.2CALL.901163  
Pads frame adapters kit Ø 120 mm (1 set, 2 pcs), for turntable


**Crossbar height adjustment**

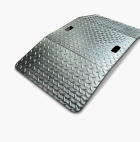
VSG.2CELM.902344  
Kit for increasing overhead cable passage height by up to +1.5 m | for spindle lifts | 1 set


**Support plates**

VSG.2CALL.901453  
4 / 4.2 / 4.5 t | allows installation on floors with poor capacity or lower concrete thickness | 1 set / 2 pieces


**Inground cable connection kit**

VSG.2CELM.902498  
Allows columns connection cables to be placed inground | 1 piece


**Vehicles lift platforms**

VSG.2CALL.902818  
Ramp height 60 mm, for extremely low vehicles | 1 set / 2 pieces


**Stands for alignment**

VSG.2CALL.902085  
1 set / 4 pieces

**TECHNICAL DETAILS**

<b>Number of columns</b>	2
<b>Capacity</b>	4200kg
<b>Column layout</b>	Symmetrical
<b>Mode of drive</b>	Electromechanical
<b>Control</b>	Electric
<b>Type of installation</b>	Floor mounted
<b>TeqLink</b>	Standard
<b>Max. lifting height</b>	2042mm
<b>Lifting time</b>	58s
<b>Min. plate height</b>	115mm
<b>Max. plate height</b>	156mm
<b>Clear span between</b>	2700 - 2800mm
<b>Clear span between (out)</b>	3222 - 3322mm
<b>Column height</b>	2860mm
<b>Drive-through width</b>	2404 - 2504mm
<b>Required ceiling height</b>	4100mm
<b>Surface coating</b>	Powder coated
<b>Arm layout</b>	Symmetrical
<b>Telescopic front arms</b>	3-fold
<b>Telescopic rear arms</b>	3-fold
<b>Min. front arm length</b>	705mm
<b>Max. front arm length</b>	1330mm
<b>Min. rear arm length</b>	705mm
<b>Max. rear arm length</b>	1330mm

**Driving power** 2 x 3,5kW

**Electrical connection** 400 V, 50 Hz

**Width** 3428 - 3528mm

**Height** 4000mm

**Max. height** 4000mm