



2-post lift KPX42

GTIN: 5063084982599

SKU: RAV.KPX42.982599

4.2 t, electromechanical, symmetrical posts, asymmetrical support arms, 2-stage long arms, 3-stage short arms, TEq-Link | Grey (RAL 7040)

DESCRIPTION

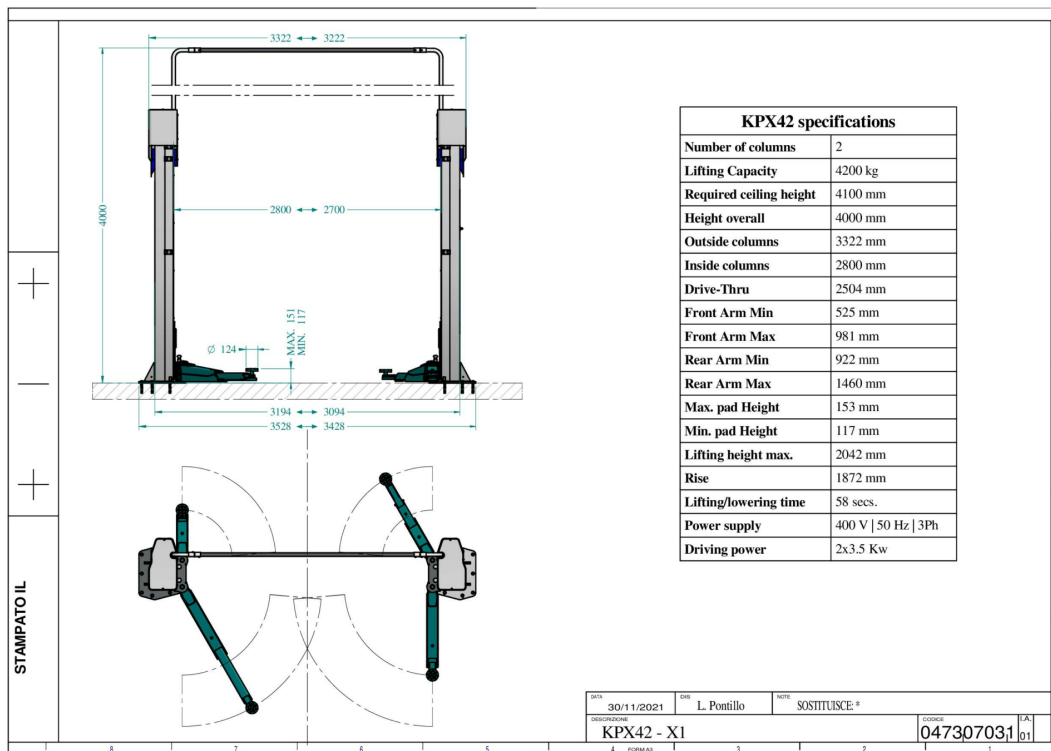
Legend Series - From History to the Future

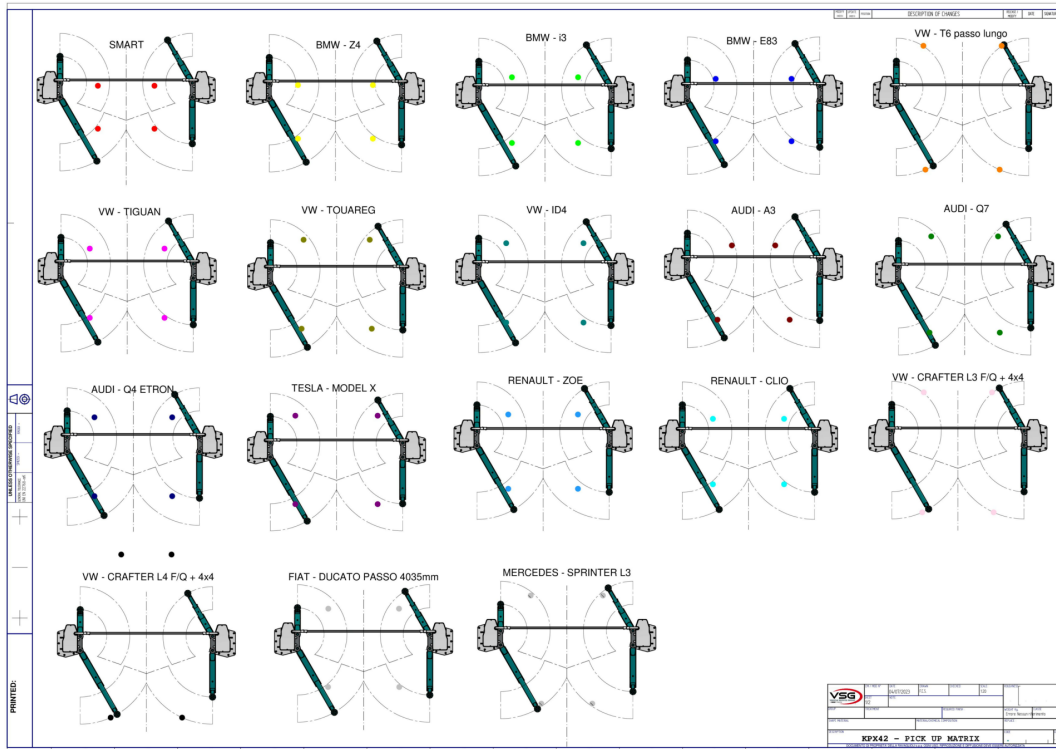
- Up-to-date design: modern outline that brings modernity and usability to the workshop
- Innovative DNA: long-standing high-quality components and tested for 20000 cycles
- Future-proof: lifts designed for the TEq-Link workshop connectivity system

Emerging from the bestselling 2-post lifts, the Legend Series consolidates the engineering knowledge of Ravaglioli and shapes it into an innovative package. Looking towards the future while always honouring the past, Ravaglioli has set an important goal for itself - let the performance meet the design.

- Controlled up/down by pushing button positioned at an ergonomic height.
- Minimum height of the pads suitable for asymmetric loading, of armoured cars as well.
- Smart and flexible installation - Up to 20% improvement in installation time: The electronic synchronization avoids the installation and adjustment of the realignment cable. The lifts can be installed in a flexible way thanks to three width adjustable positions.
- More space for movement around the vehicle - The lift is designed to maximise its layout while ensuring minimum space requirements.
- TEq-Link connected workshop - All models of this series are equipped with up/down buttons and TEq-Link connectivity.
- The geometry of the arms was designed to lift long-wheelbase cars, commercial vehicles and vans
- Asymmetrical arm configuration (two long and two short arms)
- Automatic arm locking system
- High efficiency motors

- Automatic and permanent nut lubrication system to guarantee efficient movement during lifting and descent
- Steel high resistance rolled screw to provide long life
- Equipped with an acoustic anti-toe trap system - Free from mechanical foot guards
- Possibility to install without gantry since cables can be placed inground
- Premium quality of components:
 - Aluminium pulley with cooling function
 - Long-lasting bearings
 - 50% longer, bronze load nut
 - Motors with reinforced and cooling casing
 - Solid automatic arm locking





ACCESSORIES

Tool trays

VSG.2CALL.902641
Magnetic | 1 set / 2 pieces


Spacers for pads for electromechanical lifts

VSG.2CALL.901071
4 x 89 mm, 4 x 127 mm, incl. 2 brackets for mounting on the pillars | 1 set / 8 pieces


Spacers for pads

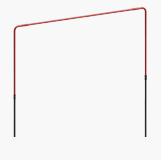
VSG.2CALL.901248
4 x 200 mm, incl. bracket for mounting on the pillars | 1 set / 4 pieces


Eyebolt

VSG.2CELM.901927
3.5 t - 4.2 t | facilitates installation of the lift, can be used again for other installations | 1 set


Pads frame adapters kit

VSG.2CALL.901163
Pads frame adapters kit Ø 120 mm (1 set, 2 pcs), for turntable


Crossbar height adjustment

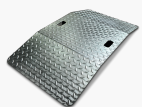
VSG.2CELM.902344
Kit for increasing overhead cable passage height by up to +1.5 m | for spindle lifts | 1 set


Support plates

VSG.2CALL.901453
4 / 4.2 / 4.5 t | allows installation on floors with poor capacity or lower concrete thickness | 1 set / 2 pieces


Inground cable connection kit

VSG.2CELM.902498
Allows columns connection cables to be placed inground | 1 piece


Vehicles lift platforms

VSG.2CALL.902818
Ramp height 60 mm, for extremely low vehicles | 1 set / 2 pieces


Stands for alignment

VSG.2CALL.902085
1 set / 4 pieces

TECHNICAL DETAILS

Number of columns	2
Capacity	4200kg
Mode of drive	Electromechanical
Control	rotating switch
Type of installation	Floor mounted
Max. lifting height	2042mm
Lifting time	58s
Min. plate height	117mm
Max. plate height	153mm
Clear span between	2700 - 2800mm
Clear span between (out)	3222 - 3322mm
Column height	2863mm
Drive-through width	2404 - 2504mm
Required ceiling height	4100mm
Surface coating	Powder coated
Arm layout	Asymmetrical
Telescopic front arms	3-fold
Telescopic rear arms	2-fold
Min. front arm length	525mm
Max. front arm length	981mm
Min. rear arm length	922mm
Max. rear arm length	1460mm
Driving power	2 x 3,5kW
Electrical connection	400 V, 50 Hz

Phases	3
Width	3428 - 3528mm
Height	4000mm
Max. height	4000mm