



2-post lift KPC32

GTIN: 5063084198709

SKU: RAV.KPC32.198709

3.2 t, electromechanical, space-saving base, symmetrical posts, asymmetrical support arms, 3-stage long arms, 3-stage short arms | Blue (RAL 5005)

DESCRIPTION

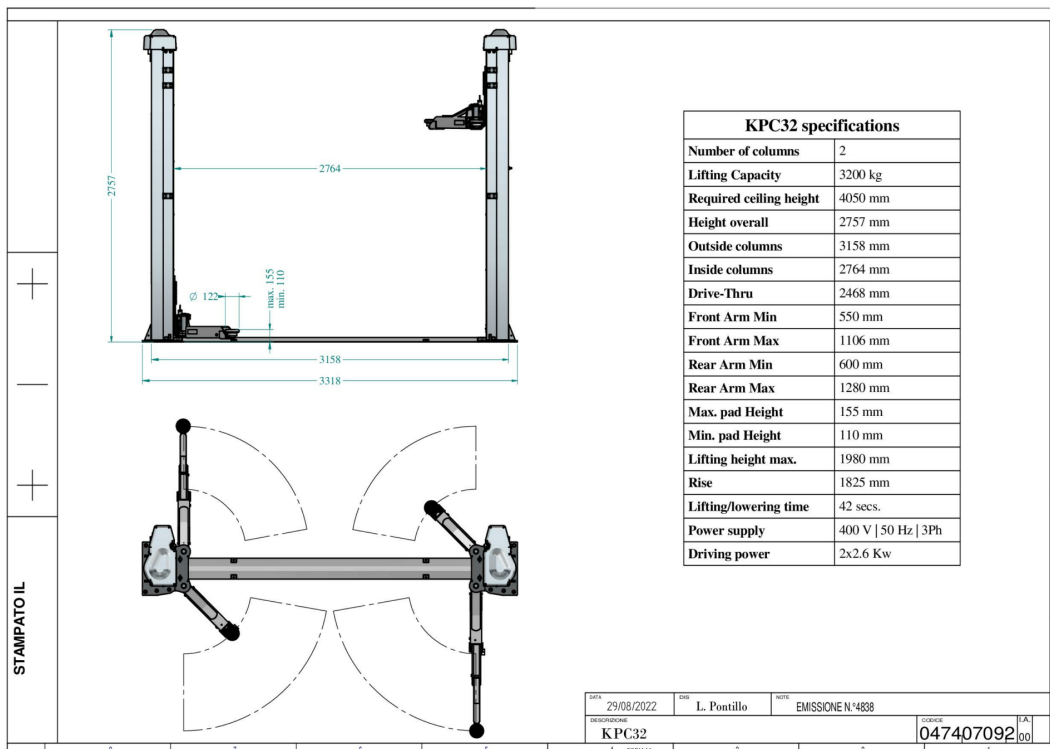
Legend Series - From History to the Future

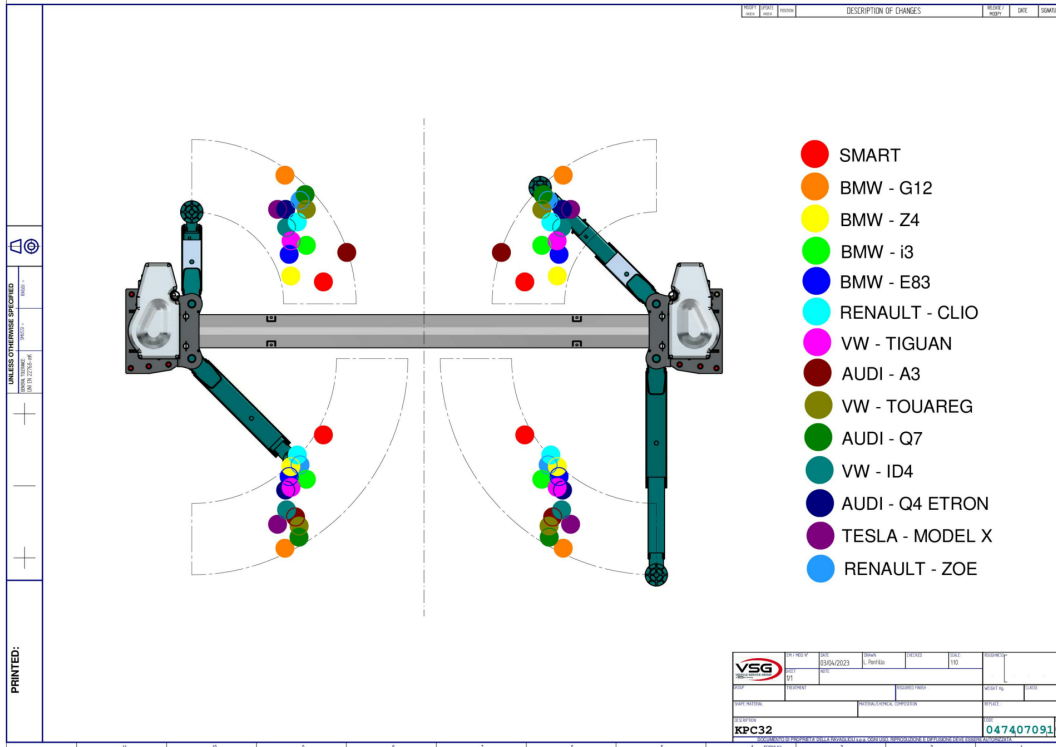
- Modern design: clean and linear column profile with internal carriage
- Innovative DNA: long-standing high-quality components and tested for 20000 cycles
- Space optimisation: ultimate ergonomics thanks to the electronic foot guard

Emerging from the best-selling 2-post lifts, the Legend Series consolidates the engineering knowledge of Ravaglioli and shapes it into an innovative package. Looking towards the future while always honouring the past, Ravaglioli has set an important goal for itself - let the performance meet the design.

- Base with smaller size that reduces the work area space.
- A set with two plates allows lifts to be installed even on a quality of concrete lower than required.
- Capacity: 3.2 t
- Minimum routine maintenance: The operating parts require little time for easy replacement or maintenance reducing the risk of error on safety elements.
- Guaranteed safety and quality over the time: The lift is equipped with premium components that guarantee durability and maximum safety for the operator.

- Electronic synchronization.
- Short 3-stage arms and long 3-stage arms with quick fit telescopic rubber pad.
- Wide rubber protected areas.
- Internal carriages running on lubricated sliding guides, protected from the external environment, that ensures a longer life to the sliding elements.
- The new column geometry allows for quick replacement of the nut.
- The geometry of the arms was designed to lift anything from city to long-wheelbase cars.
- Overhead cable crossing.
- Equipped with an acoustic anti toe trap system - Free from mechanical foot guards.
- Premium quality of components:
 - Aluminium pulley with cooling function.
 - Long lasting bearings.
 - 50% longer, bronze load nut.
 - Motors with reinforced and cooling casing.
 - Solid automatic arm locking.





ACCESSORIES

Tool trays

VSG.2CALL.902641
Magnetic | 1 set / 2 pieces


Spacers for pads for electromechanical lifts

VSG.2CALL.901071
4 x 89 mm, 4 x 127 mm, incl. 2 brackets for mounting on the pillars | 1 set / 8 pieces


Spacers for pads

VSG.2CALL.901248
4 x 200 mm, incl. bracket for mounting on the pillars | 1 set / 4 pieces


Pads

VSG.2CALL.902276
Support plate, rubber pad, adjustable - for quick-positioning on 4 heights | 4-stage | 1 set / 4 pieces


Eyebolt

VSG.2CELM.901927
3.5 t - 4.2 t | facilitates installation of the lift, can be used again for other installations | 1 set


Pads frame adapters kit

VSG.2CALL.901163
Pads frame adapters kit Ø 120 mm (1 set, 2 pcs), for turntable


Vehicles lift platforms

VSG.2CALL.902818
Ramp height 60 mm, for extremely low vehicles | 1 set / 2 pieces


Stands for alignment

VSG.2CALL.902085
1 set / 4 pieces


Tool support

VSG.2CALL.902511
Ergonomic holder for impact wrench

TECHNICAL DETAILS

Number of columns	2
Capacity	3200kg
Mode of drive	Electromechanical
Control	Electric
Type of installation	Surface mounted
Max. lifting height	1980mm
Lifting time	42s
Min. plate height	110mm
Max. plate height	155mm
Clear span between	2764mm
Clear span between (out)	3158mm
Column height	2757mm
Drive-through width	2468mm
Required ceiling height	4050mm
Surface coating	Powder coated
Arm layout	Asymmetrical
Telescopic front arms	3-fold
Telescopic rear arms	2-fold
Min. front arm length	550mm
Max. front arm length	1106mm
Min. rear arm length	600mm
Max. rear arm length	1280mm
Driving power	2 x 2,6kW
Electrical connection	400 V, 50 Hz

Phases	3
Width	3318mm
Height	2757mm
Max. height	2757mm